

Platinum Evolution User's Manual

V23.06



ESSENTIAL COFFEE

www.essentialcoffee.com.au
www.essentialcoffee.co.nz



NB. this manual could be modified or updated without any forewarning obligation.

DB523_V2.6

www.essentialcoffee.com.au
www.essentialcoffee.co.nz

ESSENTIAL COFFEE



TECHNICAL FEATURES

Dimensions: Height 62 cm
Width 41 cm
Depth 43 cm

Weight: 40,5 Kg

Voltage supply: 230 Vac. 50 Hz or 120 Vac. 60Hz on request

Absorbed power: 1,7 KW

Selections: 2 cups sizes
12 selections for each cup size.

Payment System: predisposed for

- Parallel coin mechanism: 12Vac or 24Vac
- Executive / MDB system

LEGEND

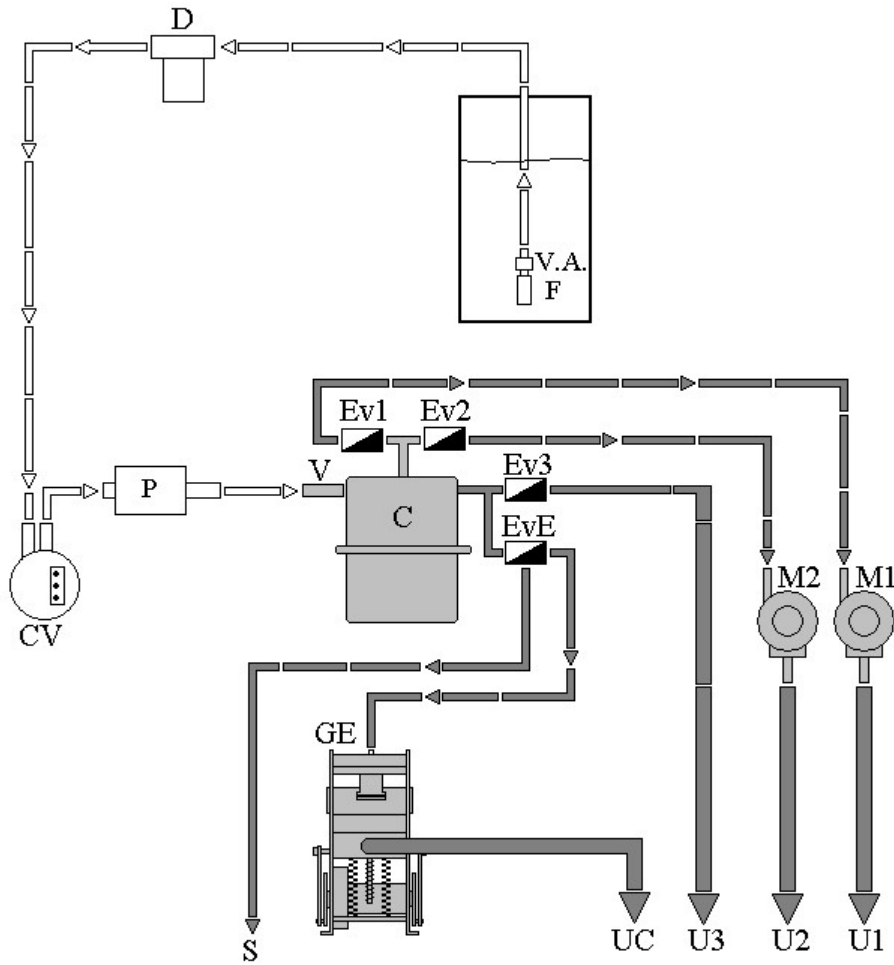
F WATER FILTER
VA ONE-WAY VALVE
D ANTI-LIMESTONE FILTER (optional)
CV FLOWMETER
P PUMP
V ONE-WAY VALVE
C BOILER
Ev1 TEA OR SOLUBLE COFFEE VALVE
Ev2 MILK & CHOCOLATE VALVE
Ev3 HOT WATER VALVE (OPTIONAL)
EvE ESPRESSO COFFEE VALVE

GE ESPRESSO GROUP
S WASTE

M1 TEA OR COFFEE MIXER
M2 MILK & CHOCOLATE MIXER

U1 TEA SPOUT
U2 MILK&CHOCOLATE SPOUT
U3 HOT WATER SPOUT (OPTIONAL)
UC ESPRESSO SPOUT

WATER FLOW DIAGRAM



GRINDER

The quantity of ground coffee is adjustable through a screw (2); screwing it the quantity decreases, while unscrewing it, the quantity increases..

To adjust the degree of grinding, after having pushed the lock (6), act on the grind-stone holder (1), clockwise to have a finer grinding, while in counterclockwise to obtain a bigger grinding.

Make sure that the lock block of the grind-stone grinder.



6

comes back in the hole of holder,



INSTALLATION

Before installing the machine, read carefully this manual.

Install the machine in a dry and hygienic place.

Installation and the following testing operations must be carried out exclusively by personnel who have a specific knowledge of the machine functions from a point of view of electrical safety and health regulations.

ELECTRIC CONNECTION

Before connecting the machine to an electric plug, please follow these precautions:

- The main supply must correspond to the power requirements of the machine (1700W).
- Check that the power supply voltage correspond to the voltage shown in the rating label.
- Check that the main socket is correctly earthed.
- If the power supply cable is replaced, use only original type cables (request the special cable with M type connection to the manufacturer).

The manufacturer will not accept responsibility for any damage arising if these precautions are not complied with.

The machine is provided of a general lighted switch, located on the back panel and of a safety button placed on the front of the chassis that breaks off the power to the electronic board when you open the door. To restore the power also with the door opened, take out the push button.

All the electric devices in the machine work with a 24 Vdc voltage, except the boiler heating element and the transformer that work with 230 or 115 Vac.

LEGEND

A	Main power
B	Main switch
C	“Anti-interference” filter
D	Transformer 230/24 Vac or 120/24 Vac
E	Coffee group heating elem. 24 Vac
F	Ventilator
G	Safety clixon 145°C
H	Boiler heating element 1200 W
IP	“Door” safety switch
S	Boiler temperature sensor
MG	“Supply” group-microswitch
MS	“Pause” group-microswitch
MD	“Coffee-doser” microswitch
GA	Float
MC	“Token system” contact.
CV	Flowmeter

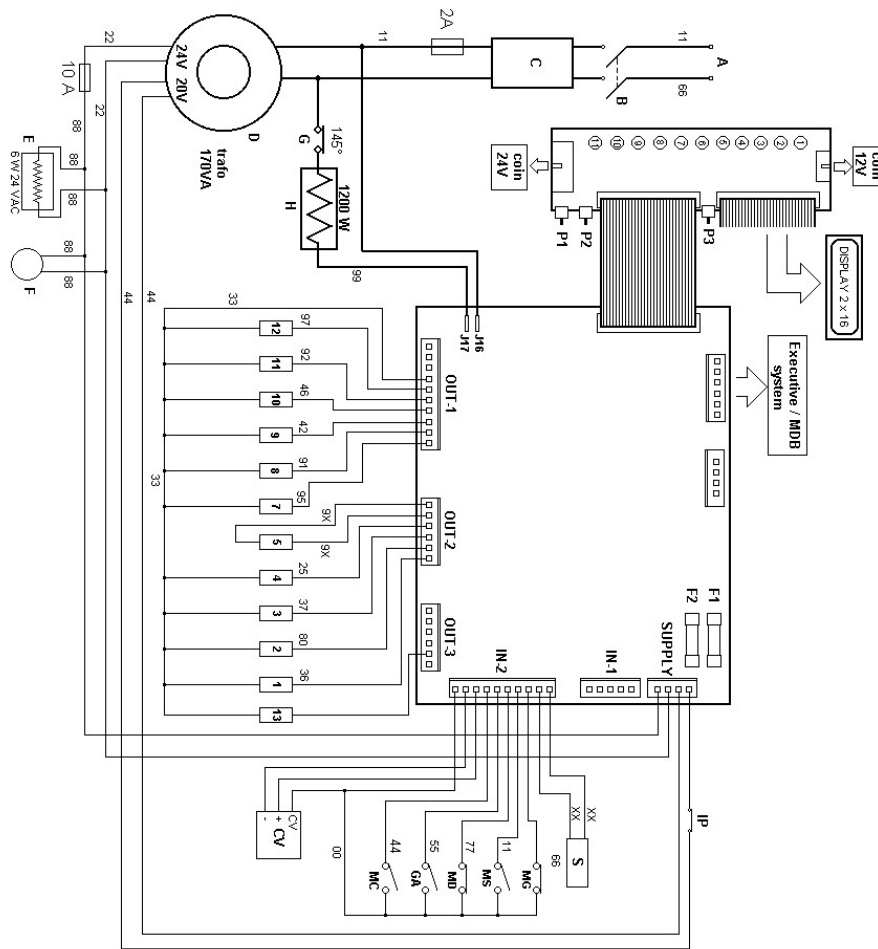
1	GRINDER MOTOR
2	COFFEE-RELEASER SOLENOID
3	COFFEE-GROUP MOTOR
4	COFFEE ELECTRO-VALVE
5	PUMP
7	“MILK & CHOCOLATE” ELECTRO-VALVE & MIXER
8	MILK DOSER-MOTOR
9	“TOKEN SYSTEM” COIL
10	CHOCOLATE DOSER-MOTOR
11	TEA ELECTRO-VALVE & MIXER
12	TEA DOSER-MOTOR
13	HOT WATER ELECTRO-VALVE

F1	1.6A FUSE
F2	10A FUSE

WIRE COLORS

00	black	66	Blue
11	Brown	77	Violet
22	Red	88	Grey
33	Orange	99	White
44	Yellow	XX	Pink
55	Green	YY	Light blue

ELECTRICAL DIAGRAM



WATER CONNECTION

The machine could be installed on:

- a cabinet with place for cups, spoons and sugar and a water tank of 15lt
- a small base with waste containers (the machine has to be with mains water connection).
- Table-top.

On cabinet

- Place the machine onto the cabinet and secure it with the provided screws.
- Remove the back panel, undoing the secure screws.
- Insert the pipe with the filter and the one-way valve, and if it's present, the float in the chassis holes in order to insert them into the 15 l tank.
- Insert the waste pipe into the 5l tank.
- Fill up the 15 l water tank with potable water
- Fix a bag to the suitable hook for the coffee grounds.
- Fill the canisters with the specific products.

On small base

- Place the dispenser onto the base and secure it with the provided screws.
- Check the mains pressure doesn't exceed 2 bar, otherwise it is necessary to install a pressure-reductor.
- Connect the mains pipe to the inlet electro valve.
- Verify, through the gauge inside the machine, that the pressure doesn't overcome 1 bar, otherwise adjust it with the inside reductor.
- Fill the canisters with the specific products.

SWITCHING ON

After having followed all the instructions of installation, it is possible to turn on the machine through the light switch placed on the back of the machine.

At the switching on, it appears on display for a brief time the software version, after that it will begin the heating of the boiler that will be visualized with the message "HEATING" that will be replaced, to reached temperature, from the following message".INSERT THE CREDIT AND SELECT YOUR DRINK...".

Note: it is advisable immediately to perform a manual washing after the switch on, to load easily the hydraulic circuit and the boiler, as follows.

1. **Open the door.**
2. **Pull the white button placed on the left side hand of chassis.**
3. **Await the start of the board for a couple of seconds.**
4. **When the display shows "heating", press the "QUICK" button.**
5. **The washing cycle will begin.**
6. **Repeat the point 4 until the water comes out from the spouts.**
7. **Switch off the machine, close the door and switch on the machine.**
8. **Await the heating and the machine will be ready.**

TROUBLESHOOTING GUIDE

The machine is provided with a program of self-diagnosis, that allows to visualize on the display the messages of breakdown or machine stopped :

ERROR GROUP 1	the coffee-group has not reached the "supply position" given by its right micro switch. Check Fuses, group right micro switch, group motor, electronic board..
ERROR GROUP 0	the coffee-group has not reached the "normal position" given by its left micro switch. Check Fuses, group left micro switch, group motor, electronic board.
ERR. COFFEE FLOW	During espresso supplying, the board has not received signals from the flowmeter. Check fuses, too fine coffee, coffee pump, coffee electro valve, flowmeter, electronic board.
ERR. SOLUB.FLOW	During soluble supplying, the board has not received signals from the flowmeter. Check fuses, soluble pump, soluble electro valve, flowmeter, electronic board.
ERROR GRINDER	During the coffee grinding, the board has not received the signal given by the doser-switch in the maximum time of 25 seconds. Check too fine coffee, fuses, doser micro-switch, grinder motor, grinder blocked by something hard, electronic board.
LACK OF WATER	The board doesn't receive the signal from the float. Lack of water, float, water container micro switch, electronic board.
ERROR BOILER	The board has not received the programmed value temperature from the boiler probe in the maximum time of 15 minutes. Check safety thermostat, boiler heating element, electronic board.
EMPTY GROUNDS!	The coffee grounds decounter has reached the programmed value. Empty the grounds and execute the quick function nr.5.
ERROR EXECUTIVE	The board does not receive signals by the payment system, Executive or MDB, programmed. Check payment system, cables, electronic board..
ERROR MIXER	the board has received too much current from the whipper motor used. Check the whipper or clean the mixer.

All the alarms are deleted, once the trouble is fixed, by switching off the machine.

PROGRAMMING

There are 2 levels of program: a basic menu and a main menu.

The basic menu is useful to the operator to adjust the quantities of the drinks, to set the prices, to read the counters and the events of the machine.

The main menu is useful to the technical department and it allows the setting of the various parameters of the machine.

The drink buttons are used also for the programming;

BASIC MENU

Keep pressed for 3 seconds the "PROG" button of the internal keyboard to enter this menu.

On display the following menu will appear :

- **SET DRINKS**
- **SET PRICES**
- **COUNTERS & AMOUNTS**
- **EVENTS**

QUICK FUNCTIONS

In this section, it is possible to execute some of the most useful functions for the operator.

To access, keep pressed for 3 seconds the button "QUICK MENU" of the internal keyboard.

On display you will see "QUICK MENU "

Pushing the relative number, you will perform these following functions:

1. ***mixers washing***: a washing for each mixing group is executed. If the machine has the fresh milk option, it will ask to choose which kind of washing has to be done.
2. ***not active***
3. ***total counter visualization***: the display will show the total counter of the machine for 3 seconds. It is not possible to reset this counter..
4. ***free mode working***: setting the "free mode" working. After 1 minute of inactivity the machine comes back in regular working.
5. ***grounds counter reset***: the coffee grounds counter is reset to the value programmed on the "level 2 menu". The message "empty grounds !" will disappear and the machine will continue to work.
6. ***filter counter reset***: the filter counter is reset to the value programmed in "level 2" menu. After that, the symbol "*" will disappear.
7. ***espresso group motor test***: test of the espresso unit movement. Pushing the button 7, you will supply the motor, while keeping pressed it, the motor will move to the next position, "supply position" or "normal position".

SET DRINKS

01-02-03-04-05-0
Sel.1

Entering the program through ENT, you will see the sequence of the existing drink codes.

The flashing cursor points out the drink code selected, to move it use the keys + to advance or - to withdraw; contemporarily to the movement of the cursor, in the underlying line, the name of the selection will be visualized related to the

07-P1-MS
ESPRESSO 1

drink code.

To modify the parameters of the drink code press ENT.

A sequence of numbers will be visualized that correspond to the doses of the selection, the line price (P) and the menu of the name of the drink (MS).

ESPRESSO WATER
45

As in precedence, the cursor points out the dosing code selected, therefore to move it use the keys + or -; on the underlying line the description of the selected dosing will appear.

To modify its value, after having selected it, press ENT.

SAVE CHANGES ?
YES=6 NO=5

Movements nr 20 and 21 (Decounter coffee and chocolate)

The movements nr20 (decounter coffee) and nr21 (decounter chocolate), where inserted, decrease the relative decounter by a unit.

To set the value of the decounter, it is enough to change it in one selection which contains it, automatically it will be modified also in all the other selections.

If the parameter "type" is set=0, every time it is reset, see at page 22, the decounter restart to the set value, while if the parameter "type" is set=1, at every reset, the decounter value will be the sum of the set value plus the value before the reset.

Example with value= 100 and type=0

If the decounter is reset when its value was 20, the new decounter value is 100.

Example with value=100 and type=1

If the decounter is reset when its value was 20, the new decounter value is 120 (100+20).

In both of cases, when the decounter reaches 0, the display will show "Machine ready coffee finished" or "Machine ready choco finished" or "Machine ready No coffee&choco" and the machine will disable the selections which contains the relative decounter (movements 20 and 21).

If the movement 20 (decounter coffee) is set (different from 0), its value will be displayed in the second line of the display.

It is possible to delete, to modify or to insert movements or to change its regulations where possible, for example the dosing of the products.

- to move the selection cursor movement use + and -
- to insert a new movement in the selected position press" 2"
- to delete the selected movement press" 1"
- to modify the selected movement press" 3"
- to modify the regulations (es: dosing) press ENT

To modify the name of the drink use the keys:

- " 7" to withdraw with the cursor on the character to modify
- " 6" to advance with the cursor on the character to modify
- "+" or" -" to modify the character

The movements are:

01	CUP	the cup-dispenser (IF PRESENT) releases a cup.
02	GRINDER 1	the grinder produces a coffee dose.
03	SOLUB. 1 VOLUM.	The machine makes the soluble 1 (milk) cycle with volumetric control (in cc).
04	SOLUB. 2 VOLUM.	The machine makes the soluble 2 (chocolate) cycle with volumetric control (in cc).
05	SOLUB. 3 VOLUM.	The machine makes the soluble 3 (tea) cycle with volumetric control (in cc).
06	SUGAR	the machine gives a dose of sugar in the cup
07	ESPRESSO 1	the machine makes an espresso cycle with volumetric control (in cc).
08	SOLUB. 4 VOLUM.	The machine makes the soluble 4 (coffee lio) cycle with volumetric control (in cc).
09	SOLUB. 5 VOLUM.	The machine makes the soluble 5 cycle with volumetric control (in cc).
10	PAUSE TYPE 1	a pause is executed
11	PAUSE TYPE 2	a pause is executed
12	FROTHED MILK	a cycle of frothed milk is done (duration in tenths of second)
13	HOT MILK	a cycle of hot milk with air adjustment is done (duration in tenths of second)
14	LIOF. SOLUBLE 4	The machine gives the soluble 4 (coffee) powder (used for light kinds of powder).
15	SOL.4 LIOF.SUG.V.	The machine gives a dose of sugar into the soluble 4 mixing group and a quantity of water with volumetric control.
16	SOL.4 LIOF.SUG.T.	The machine gives a dose of sugar into the soluble 4 mixing group and a quantity of water with time control.
17	LIOF. SOLUBLE 5	The machine gives the soluble 5 powder (used for light kinds of powder).
18	SOL.5 LIOF.SUG.V	The machine gives a dose of sugar into the soluble 5 mixing group and a quantity of water with volumetric control.
19	SOL.5 LIOF.SUG.T	The machine gives a dose of sugar into the soluble 5 mixing group and a quantity of water with time control.
20	COFFEE DECOUNTER	the coffee decounter decreases by one unit.
21	CHOCO DECOUNTER	the chocolate decounter decreases by one unit.
22	SOLUBLE 1 TIME	The machine makes the soluble 1 (milk) cycle with time control.
23	SOLUBLE 2 TIME	The machine makes the soluble 2 (chocolate) cycle with time control.
24	SOLUBLE 3 TIME	The machine makes the soluble 3 (tea) cycle with time control.
25	SOLUBLE 4 TIME	The machine makes the soluble 4 (coffee lio) cycle with time control.
26	SOLUBLE 5 TIME	The machine makes the soluble 5 cycle with time control.
27	GRINDER 1	the grinder produces a coffee dose with time control.
28	HOT WATER	a hot water quantity is supplied with volumetric control.
29	ON TIME WATER	a hot water quantity is supplied with time control.
30	ON J7-8	activation of the output J7-8
31	OFF J7-8	deactivation of the output J7-8
32	SUGAR	the machine gives a dose of sugar in the cup
33	ESPRESSO FAST	an espresso cycle is done (this movement must be present with movement 34).
34	SOL. 3 VOL. FAST	a soluble 3 cycle is done (this movement must be present with movement 33)

**Important: some movements could not work, depending on the model of the machine.
Consult the manufacturer in case you want to modify the sequence of movements.**

To modify the name of the drink use the keys:

- " 7" to withdraw with the cursor on the character
- " 6" to advance with the cursor on the character
- "+" or" -" to modify the character

Example: change the water quantity of the coffee of the selection " long coffee" n°2

enter in" set drinks" with ENT
position the cursor on the code drink n°2 with the key +
enter with ENT the sequence dosing
position the cursor on the dosing n°7 with +
press ENT to enter the change value
use the numerical keys to set the desired value and press ENT to confirm it
press 9 to go out of the menu "dosing drink"
press" 6" to confirm the changes
press 9 to go out of the menu "set drinks"

SET PRICES

In this menu it is possible to set the value of 100 prices lines , to which the various selections are linked.

To select the price line to set, use the keys + or -, enter the change of the value pressing ENT and set the value with the numerical keys, after that press ENT to confirm.

If all the price lines have the value 0, the machine will work in "free mode", showing "MACHINE READY" on the display.

COUNTERS & AMOUNTS

In this menu it is possible to notice the counters of the various selections and eventually to reset them.

Press E to enter the menu that is composed in the following parameters:

TOTAL COUNTERS&AMOUNTS

total in normal working of counters and amounts (Pcs.) from the last zero resetting.

TEST MODE: TOTAL COUNTERS&AMOUNTS

total in test working of counters and amounts (Pcs.).

FREE MODE: COUNTERS&AMOUNTS

total in "free test" working of the done tests and of theirs "loss" in relationship to the price of the effected selections.

RESET COUNTERS?

Zero resetting of all the counters. Press "6" to reset or "5" to cancel.

SET DRINKS

Premise: every selection or drink it is composed from a sequence of movements which correspond to a single operation of the machine.

The single movements are only performed after the correct event of the previous movement, in case of not-correct operation the machine will go to alarm.

THE CORRECT SEQUENCE OF COMPOSITION OF THE SELECTIONS IS ALREADY SET FROM THE MANUFACTURER, THEREFORE HE RECOMMENDS YOU TO NOT MODIFY THE CORRECT SEQUENCE WITHOUT CONSULTING THE MANUFACTURER.

Entering the program through ENT you will see the sequence of the existing drink codes.

01-02-03-04-05-0
Sel. 1

The flashing cursor points out the code drink, to move it use the keys + to advance or - to withdraw; contemporarily to the cursor movement, in the underlying line the name of the selection will be visualized related to the code drink.

To modify the parameters of the code drink, press ENT.

A sequence of
ized each of
movement of the

02-07-P1-MS
Sel. 1

numbers will be visual-
which corresponds to a
machine.

As for the drinks, the cursor points out the code movement, therefore to move it use the keys + or -; on the underlying line the description of the movement will appear.

N°	description
1	Milk pump (if present)
2	Grinder motor
3	Coffee releaser solenoid
4	Espresso unit motor
5	ETV espresso
6	Pump
7	ETV / whipper sol. 1/2
8	Powder motor sol.1
9	Relay (if present)
10	Powder motor sol. 2
11	ETV / whipper sol. 3
12	Powder motor sol. 3
13	Milk washing ETV (if present)

Electrical OUT- PUT

EVENTS

In this menu it is possible to notice the last 100 events of the machine. Entering the menu with ENTER the following data will be visualized:

Date : hour & date
ID:XXX RESULT POS

The time and the date of the event are not available. ID indicates the kind of event, that can be a code drink or an internal operation of the machine (see chart). RESULT indicates if the event has gone to good end (GOOD) or an error is occurred (Ennn) where nnn corresponds to a number that the type of error represents (see chart). POS indicates the position of the event (from 1 to 100). To scroll the various events use the keys + and -.

Internal operation codes

94 espresso group positioning
96 filter counter reached
97 boiler 1 refilling
99 washing

Errors codes

E103 espresso group positioning in "normal position"
E104 espresso group positioning in "supply position"
E105 espresso supplying
E106 soluble supplying
E107 coffee grinding
E112 lack of water
E113 boiler 1 temperature
E115 coffee pucks counter
E118 boiler 1 off by timer

- E119 "executive or MDB" communication during working
- E120 "executive or MDB" communication at power on
- E121 whipper over-current
- E123 33Vdc fuse broken

MAIN MENU

To access this menu, keep pressed the button PROG for 5 seconds.

The menu is composed by the followings programs:

PAYMENT SYSTEM

Setting of the system of payment and its options.

SET TEMPERATURE

Setting of temperatures and other functions on the boilers.

OPTIONS: INSERT PASSWORD

Entry to the options related to the levels of programming: operator and technician or manager.

TEST MODE COUNTERS&AMOUNTS: test mode working counter.

FREE MODE COUNTERS&AMOUNTS: Free mode working counter.

RESET COUNTERS&AMOUNTS: Reset of all the counters above. Press "6" to confirm or "5" to cancel.

ENABLE SLAVE MACHINE: Enable the "slave" machine (not available).

WASHING AT WATER PRESENCE: if enabled, when the float detects a new presence of water, an automatic washing cycle will be done.

SERIAL NUMBER: set the serial number of the machine.

SET FLOWMETER: number of impulses of the installed flowmeter.

CAUTION ! OUTPUT TEST !: test of all the electrical output of the electronic board (see the chart at page 18).

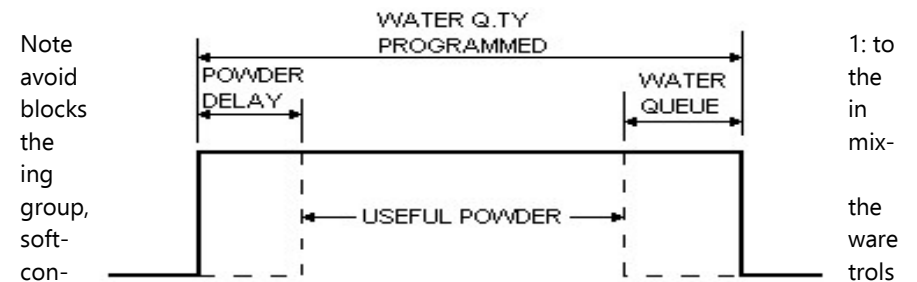
TYPE OF MACHINE: set-up of the model of the machine.

PRESELECTION MODE: OFF/CUP/BLEND. Enable the size cup or blend selection choice before the drink selection.

ENABLE AUTOMATIC WASHING: if enabled, the machine executes an automatic washing cycle at the power-on.

DISPLAY COUNTERS ENABLE: if enabled, at the power-on the display will show the total counter, which can't be reseted.

BOILER WORKING: enable of the boiler 1.



powder and water values in the way explained in the following diagram.

OPTIONS: LEVEL 2 (manager- technician)

After having inserted the correct password, that it initially is" ask to manufacturer", you will enter in the following menu:

MODIFY PASSWORD LEVEL 1: Insert the new password and press E to confirm.

MODIFY PASSWORD LEVEL 2: Insert the new password and press E to confirm.

SET DRINKS: See "set drinks" chapter at page 19.

LOAD DEFAULT DATA: Default data reset. To confirm press "6" while to cancel press "5". Ask to manufacturer before performing this function.

SET LANGUAGE: Language of the display.

SET DELAY POWDER: Set the delay between the water and the powder, in tenth of seconds (see note 1).

SET WATER RESERVE: Reserve of water without powder at the end of the selection, in tenth of seconds (see note 1).

SET PAUSE ESPRESSO GROUP: Time for coffee puck drying, in tenth of seconds.

ENABLE BITTER DRINK AS DEFAULT: Kind of sugar / no sugar drink (not available)

ENABLE CUP SENSOR: Enable the cup sensor (optional) working.

ENABLE PRE-GRINDING: Enable the pre-grinding function in order to grind the coffee during the previous "espresso" brewing.

SET FILTER 1 COUNTER: Counter (in drinks) for the regular filter substitution. Once reached, the machine will show "*" on display but it will continue to work (see also at page 22).

SET FILTER 2 COUNTER: Counter (in drinks) for the "steam" filter substitution. Once reached, the machine will show "+" on display but it will continue to work (see also at page 22).

PAYMENT SYSTEM

The followings programs compose this menu:

SET COIN VALUE PARALLEL SYSTEM

Setting of the coin values (only for parallel coin mechs).

DECIMAL POINT

Setting of the decimal point to be applied to coin and prices values.

NAME OF CURRENCY

Setting of the currency.

PRICE HOLDING

Price holding mode (only for Executive systems)

SINGLE SALE NO CHANGE GIVEN

Setting of the sale without maintenance of the residual credit.

MAXIMUM CHANGE GIVEN

Maximum value of the credit to be given (for change giver systems only).

TYPE OF PAYMENT SYSTEM

Type of payment system used on the machine (see note 2).

Parallel 12V - Parallel 24V - Token - MDB - MDB + parallel 12V - Executive

Note 1: To set the values coin proceed in the following way:

Set the value of the coin to accept with the numerical buttons
introduce the coin in the coin mech
if accepted, on the display the channel will appear on which is programmed
press ENT to confirm the setting.
Repeat the procedure for the other coins.

Note 2: after having programmed the type of system of payment, it is nec-

SET TEMPERATURE

The followings programs compose this menu:

SET BOILER 1 TEMPERATURE

Set-up of the boiler 1 temperature (80°C to 110°C)

TIME OVERHEATING BOILER 1

After this time in mins of "stand-by machine" the boiler 1 is over-heated.

SET OVERHEATING BOILER 1

Value of overheating of the boiler 1 (max. 5°C).

TIME FILLING UP BOILER 1

Every "minute set" the pump refills the boiler to keep the maximum level.

SET FILLING UP BOILER 1

Duration of refilling for boiler.

OPTIONS

This menu has 2 different levels, each of them is protected from a password:

1st level. Operator - for the operator of the machine

2nd level. Manager - for the technician / manager of the machine

The machine has 3 types of operation each of them has a counter of selections and amounts:

normal:	normal working with selection priced
test :	working with selections priced but with the money doesn't go into the coin box (example: the technician has to test the machine and the payment system).
Free mode:	working with free selections.

The counters of every level are independent, therefore the zero resetting of the counters of a level doesn't influence the counters of the other level.

OPTIONS: LEVEL 1 (operator)

After having inserted the correct password, which initially is 111, the following menu will be shown:

MODIFY PASSWORD LEVEL 1:

Insert the new password and press E to confirm.

TEST MACHINE MODE:

Set the machine in Test mode working.

FREE MODE:

Set the machine in Free mode working.

After 1 minute of inactivity, the machine will go back in standard mode.

SINGLE DRINK COUNTERS&AMOUNTS:

Choose the id drink to analyze with + or - and press E to confirm.

REGULAR COUNTERS: Regular working counter.

TEST MODE COUNTERS&AMOUNTS: Test mode working counter.

FREE MODE COUNTERS&AMOUNTS: Free mode working counter.

RESET COUNTERS&AMOUNTS:

Reset of all the counters above. Press "6" to confirm or "5" to cancel.